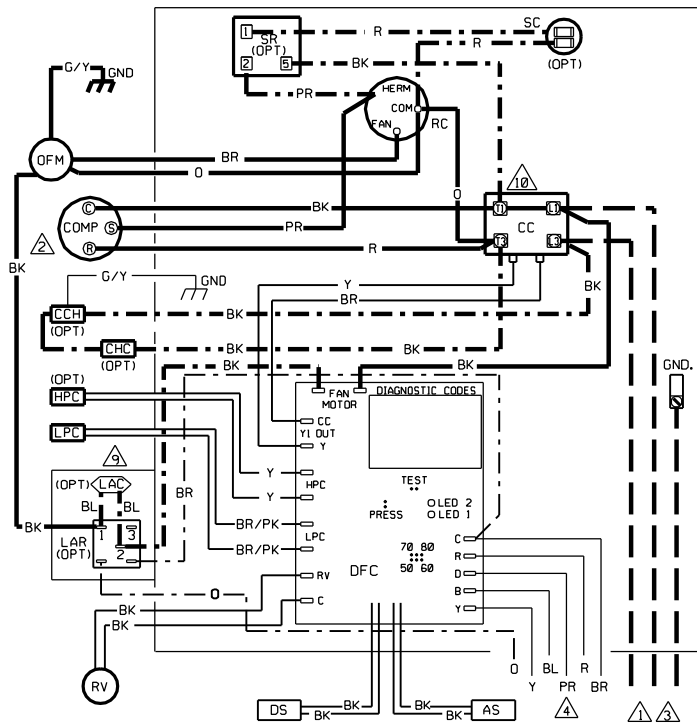
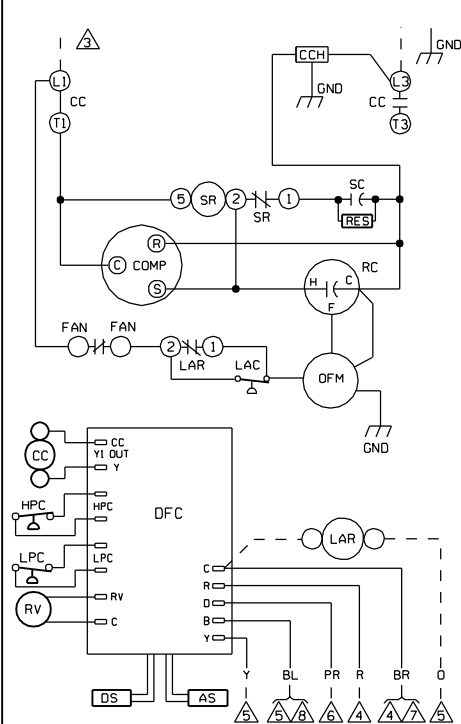


WIRING DIAGRAM



WIRING SCHEMATIC



COMPONENT CODE

- AS AMBIENT SENSOR
- CC COMPRESSOR CONTACTOR
- CCH CRANKCASE HEATER
- CHC CRANKCASE HEATER CONTROL
- COMP COMPRESSOR
- DFC DEFROST CONTROL
- DS DEFROST COIL SENSOR
- GND GROUND, CHASSIS
- HPC HIGH PRES. CUT-OUT CONTROL
- LAC LOW AMBIENT COOLING CONTROL
- LAR LOW AMBIENT RELAY
- LPC LOW PRESSURE CUT OUT CONTROL
- OFM OUTDOOR FAN MOTOR
- OPT OPTIONAL
- RC RUN CAPACITOR
- RV REVERSING VALVE
- SC START CAPACITOR
- SR START RELAY

NOTES:

1. CONNECTORS SUITABLE FOR USE WITH COPPER CONDUCTORS ONLY.
2. COMPRESSOR MOTOR THERMALLY PROTECTED AND ALL 3 PHASE ARE PROTECTED UNDER PRIMARY SINGLE PHASE CONDITIONS.
3. CONNECT FIELD WIRING IN GROUNDED RAIN-TIGHT CONDUIT TO 60 HERTZ FUSE DISCONNECT, VOLTAGE AND PHASE PER RATING PLATE.
4. LOW VOLTAGE CIRCUIT TO BE N.E.C. CLASS 2 WITH A CLASS 2 TRANSFORMER 24 VOLT, 60 HERTZ.
5. TO THERMOSTAT SUB-BASE, REFER TO SYSTEM SCHEMATICS OR SCHEMATICS ON INDOOR SECTION FOR LOW VOLTAGE CONTROL WIRING.
6. THIS WIRE IS USED TO TURN ON STRIP HEAT DURING DEFROST. OMIT CONNECTION FOR MOST ECONOMICAL OPERATION.
7. TO HEAT PUMP MONITOR 2.5 VA. MAX. WHEN USED.
8. THIS COMPONENT IS ENERGIZED IN HEATING MODE.
9. IF LAC/LAR IS NOT USED, CONNECT BLACK WIRE FROM OFM TO DFC FAN MOTOR.
10. BLACK WIRE FROM SR (5) TO CC (T1) DELETED WHEN PTCR IS USED.

WIRING INFORMATION

- LINE VOLTAGE
- FACTORY STANDARD
 - FACTORY OPTION
 - FIELD INSTALLED
- LOW VOLTAGE
- FACTORY STANDARD
 - FACTORY OPTION
 - FIELD INSTALLED
- REPLACEMENT WIRE
- MUST BE THE SAME SIZE AND TYPE OF INSULATION AS ORIGINAL (105 °C MIN.)
- WARNING
- CABINET MUST BE PERMANENTLY GROUNDED AND CONFORM TO I.E.C., N.E.C., C.E.C. AND LOCAL CODES AS APPLICABLE.

WIRE COLOR CODE

BK__BLACK	O__ORANGE
BR__BROWN	PR__PURPLE
BL__BLUE	R__RED
G__GREEN	W__WHITE
GY__GRAY	Y__YELLOW

WIRING DIAGRAM
REMOTE HEAT PUMP
SINGLE PHASE WITH PSC
DEMAND DEFROST CONTROL

DR. BY MGR	APP. BY DATE 11-11-09	DWG. NO. 90-101229-23	REV 00
---------------	-----------------------------	--------------------------	-----------