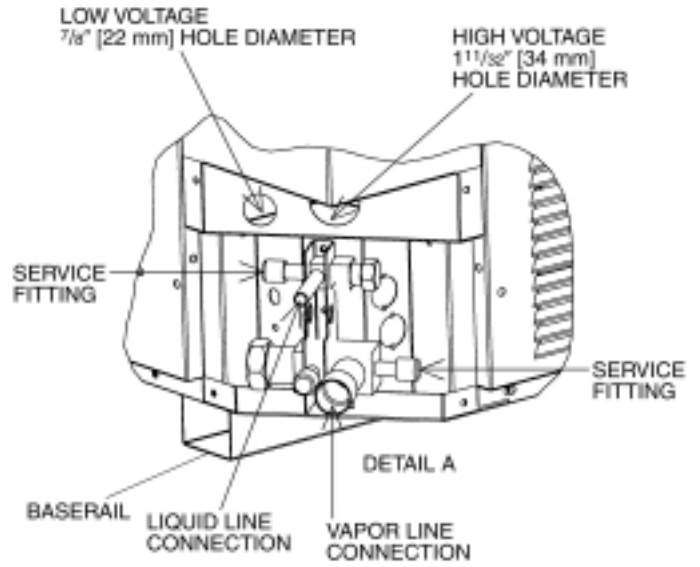
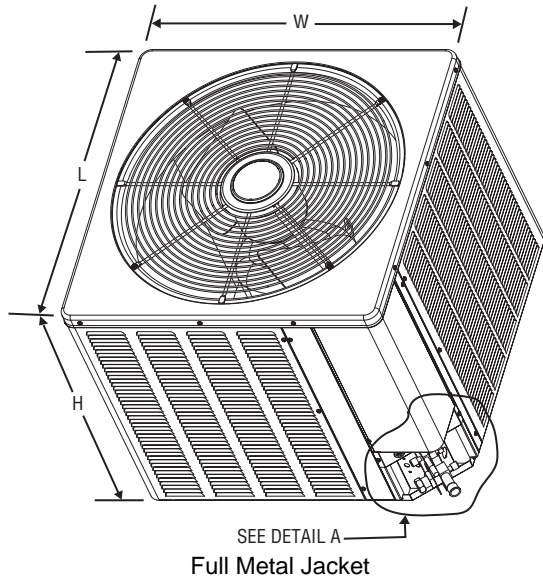




**13AJM 18, 24, 30,  
36, 42, 48, 60**



Model No. 13AJM	Unit Dimensions		
	Width "W" Inches [mm]	Length "L" Inches [mm]	Height "H" Inches [mm]
18, 24	23 <sup>5</sup> / <sub>8</sub> [600]	23 <sup>5</sup> / <sub>8</sub> [600]	24 <sup>1</sup> / <sub>4</sub> [616]
30	27 <sup>5</sup> / <sub>8</sub> [702]	27 <sup>5</sup> / <sub>8</sub> [702]	24 <sup>1</sup> / <sub>4</sub> [616]
36, 42	31 <sup>5</sup> / <sub>8</sub> [803]	31 <sup>5</sup> / <sub>8</sub> [803]	27 <sup>15</sup> / <sub>16</sub> [710]
48, 60	31 <sup>5</sup> / <sub>8</sub> [803]	31 <sup>5</sup> / <sub>8</sub> [803]	35 <sup>15</sup> / <sub>16</sub> [913]

[ ] Designates Metric Conversions

**Before proceeding with installation, refer to installation instructions packaged with each model, as well as complying with all Federal, State, Provincial, and Local codes, regulations, and practices.**

*"In keeping with its policy of continuous progress and product improvement, Manufacturer reserves the right to make changes without notice."*