



# Room Air Conditioner

## SVC MANUAL(Exploded View)

**MODEL : AS-W093E\*H0 (LAN095HV / LAU095HV)**  
**AS-W123E\*H0 (LAN125HV / LAU125HV)**

### **CAUTION**

Before Servicing the unit, read the safety precautions in General SVC manual.  
Only for authorized service personnel.

# 1. Specification

| Models                            |                                       | AS-W093ERH0 [LA095HV]                        | AS-W123ERH0 [LA125HV]              |
|-----------------------------------|---------------------------------------|--|------------------------------------|
| Cooling Capacity (Min_Rating_Max) |                                       | kW<br>0.90~2.70~3.70                         | 0.90~3.52~4.04                     |
| Heating Capacity(Min_Rating_Max)  |                                       | Btu/h<br>3,070~9,200~12,620                  | 3,070~12,000~13,800                |
|                                   |                                       | kW<br>0.90~3.52~5.00                         | 0.90~4.54~5.49                     |
|                                   |                                       | Btu/h<br>3,070~12,000~17,060                 | 3,070~15,500~18,720                |
| Power Input                       | Cooling/Heating                       | W<br>690/915                                 | 1,120/1,370                        |
| Running Current                   | Cooling/Heating                       | A<br>3.2/4.2                                 | 5.0/5.9                            |
| Starting Current                  | Cooling/Heating                       | A<br>3.2/4.2                                 | 5.0/5.9                            |
| EER                               |                                       | WW<br>3.91                                   | 3.14                               |
|                                   |                                       | Btu/h.W<br>13.3                              | 10.7                               |
| COP                               |                                       | WW<br>3.85                                   | 3.31                               |
| Power Supply                      |                                       | Ø / V / Hz<br>1/208-230/60                   | 1/208-230/60                       |
| Power Factor                      |                                       | %<br>94                                      | 97                                 |
| Air Flow Rate                     | Indoor,Max                            | m <sup>3</sup> /min(cfm)<br>8.5(300)         | 9.5(335)                           |
|                                   | Outdoor,Max                           | m <sup>3</sup> /min(cfm)<br>29(1,024)        | 29(1,024)                          |
| Moisture Removal                  |                                       | l/h<br>0.6                                   | 1.3                                |
| Sound Level                       | Indoor,H/M/L                          | dB(A)+3<br>36/33/30                          | 39/33/30                           |
|                                   | Outdoor,Max                           | dB(A)+3<br>48                                | 48                                 |
| Refrigerant & Charge(at 7.5m)     |                                       | g(oz)<br>R410A, 1,000(35.3)                  | R410A, 1,000(35.3)                 |
| Additional Refrigerant Charge     |                                       | g(m/ozft)<br>20(0.22)                        | 20(0.22)                           |
| Compressor                        | Type                                  | Rotary                                       | Rotary                             |
|                                   | Model                                 | 5RS102XAA21                                  | 5RS102XAA21                        |
|                                   | Motor Type                            | BLDC   | BLDC                               |
|                                   | Oil Type                              | FV50S  | FV50S                              |
|                                   | Oil Charge                            | cc<br>320                                    | 320                                |
|                                   | O.L.P Name                            | -  | -                                  |
| Fan(Indoor)                       | Type                                  | Cross Flow Fan                               | Cross Flow Fan                     |
|                                   | Motor Output                          | W<br>20                                      | 20                                 |
| Fan(outdoor)                      | Type                                  | Propeller                                    | Propeller                          |
|                                   | Motor Type                            | BLDC   | BLDC                               |
|                                   | Motor Output                          | W<br>43                                      | 43                                 |
| Circuit Breaker*                  |                                       | A<br>15                                      | 15                                 |
| Power Supply Cable                |                                       | NEC<br>14                                    | 14                                 |
| Power and Transmission Cable      |                                       | NEC<br>18                                    | 18                                 |
| Piping Connections                | Liquid Side                           | mm(in)<br>6.35(1/4)                          | 6.35(1/4)                          |
| Gas Side                          | mm(in)<br>9.52(3/8)                   | 9.52(3/8)                                    | 9.52(3/8)                          |
| Drain Hose                        | O.D , I.D                             | mm(in)<br>21.5,16.0(0.85,0.63)               | 21.5,16.0(0.85,0.63)               |
| Dimension                         | Indoor(W*H*D)                         | mm<br>912*282*165                            | 912*282*165                        |
|                                   | inch                                  | 35.9*11.1*6.5                                | 35.9*11.1*6.5                      |
|                                   | Outdoor(W*H*D)                        | mm<br>770*545*245                            | 770*545*245                        |
|                                   | inch                                  | 30.3*21.5*9.6                                | 30.3*21.5*9.6                      |
| Net Weight                        | Indoor                                | kg(lbs)<br>9.5(20.9)                         | 9.5(20.9)                          |
|                                   | Outdoor                               | kg(lbs)<br>35(77.2)                          | 35(77.2)                           |
| Operation Range                   | Cooling(Outdoor)                      | °C(°F)<br>-10 ~ 46 (14.0~114.8)(Low Ambient) | -10 ~ 46 (14.0~114.8)(Low Ambient) |
|                                   | Heating(Outdoor)                      | °C(°F)<br>-15 ~ 24 (5.0 ~ 75.2)              | -15 ~ 24 (5.0 ~ 75.2)              |
| Max. Piping Length                |                                       | m(ft)<br>15(49)                              | 15(49)                             |
| Max. Elevation Difference         |                                       | m(ft)<br>7(23)                               | 7(23)                              |
| Tool Code(Chassis)                | Indoor + Outdoor                      | SE1 + UL                                     | SE1 + UL                           |
| Functions                         | Temperature Control                   | Thermistor                                   | Thermistor                         |
|                                   | Plasma Filter                         | NEO  | NEO                                |
|                                   | Prefilter(washable/anti-fungus)       | O  | O                                  |
|                                   | Auto Clean                            | O  | O                                  |
|                                   | CHAOS Wind(Auto Wind)                 | O  | O                                  |
|                                   | Steps, Fan/Cool/Heat                  | 3/4/4  | 3/4/4                              |
|                                   | Airflow Direction Control(up&down)    | Auto   | Auto                               |
|                                   | Airflow Direction Control(left&right) | Auto   | Auto                               |
|                                   | Remoon Type                           | Wireless LCD                                 | Wireless LCD                       |
|                                   | Setting Temperature Range             | Cooling [°C (°F)]<br>18~30 (64~86)           | 18~30 (64~86)                      |
|                                   |                                       | Heating [°C (°F)]<br>16~30 (60~86)           | 16~30 (60~86)                      |
|                                   | Auto Operation (Micom Control)        | -  | -                                  |
|                                   | Auto Changeover (Micom Control)       | O  | O                                  |
|                                   | Self Diagnosis                        | O  | O                                  |
|                                   | Timer                                 | 24h On/Off                                   | 24h On/Off                         |
|                                   | Sleep Operation                       | O  | O                                  |
|                                   | Soft Dry Operation                    | O  | O                                  |
|                                   | Restart Delay(minute)                 | 2  | 2                                  |
|                                   | Deice Control(Defrost)                | O  | O                                  |
|                                   | Hot Start                             | O  | O                                  |
|                                   | Jet Cool / Heat                       | O/O  | O/O                                |
|                                   | Low Ambient Operation                 | O  | O                                  |
|                                   | Special Function                      | -  | -                                  |
| Network Functions                 | Dry Contact                           | -  | -                                  |
|                                   | Network Solution(LGAP)                | -  | -                                  |
|                                   | P1485                                 | -  | -                                  |

## Note:

O : Applied, - : No relation

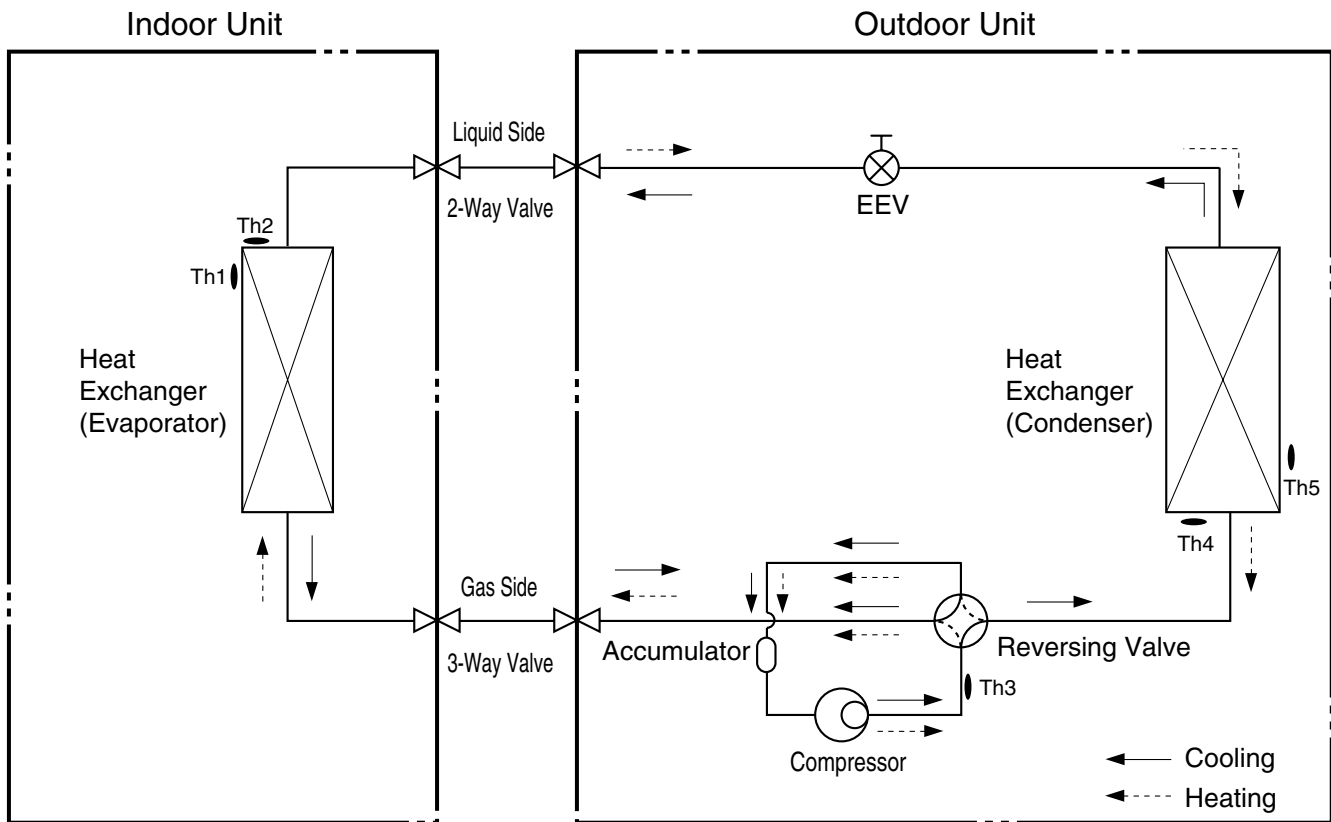
\* For circuit breaker rating, please conform to local standards wherever necessary.

※ Some of functions are slightly different depending upon models.

※ The specification may be subject to change without prior notice for purpose of improvement.

※ Capacity : based on 230V

## 2. Piping Diagrams

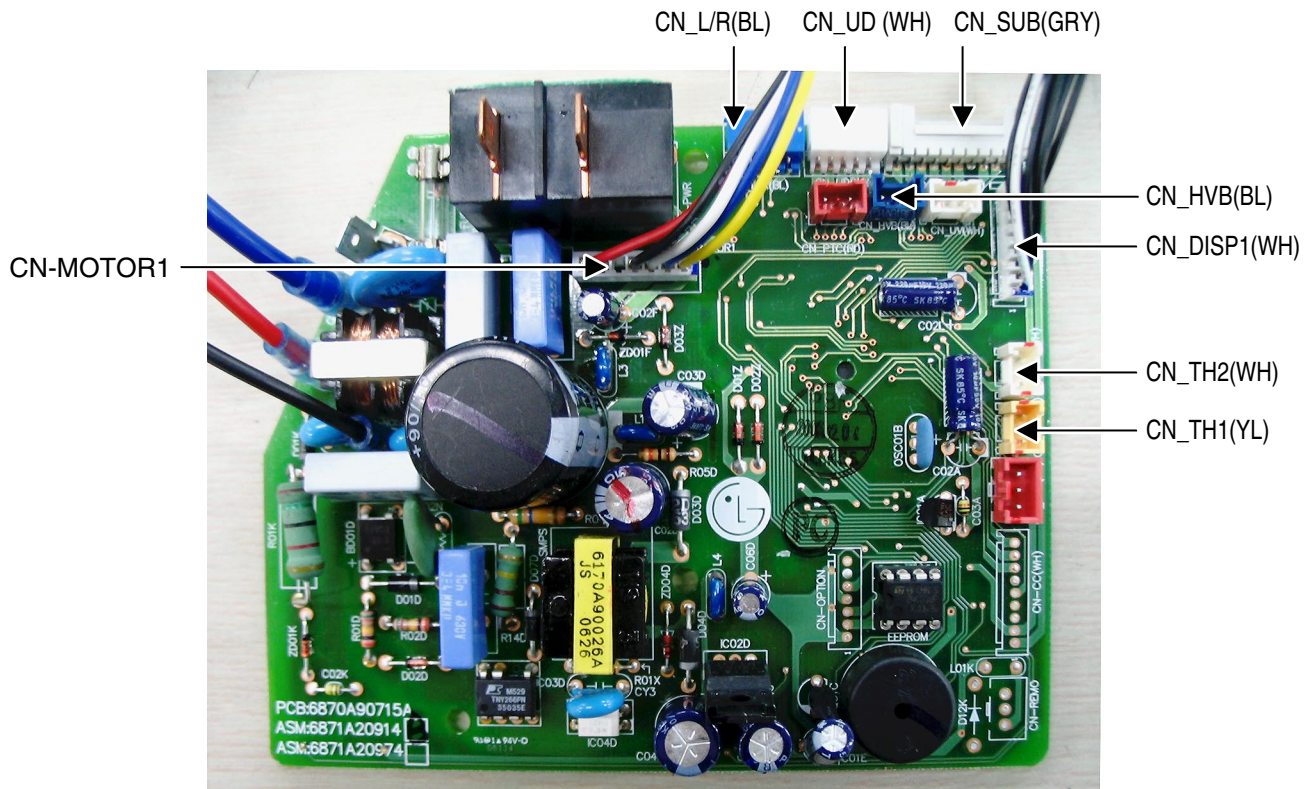
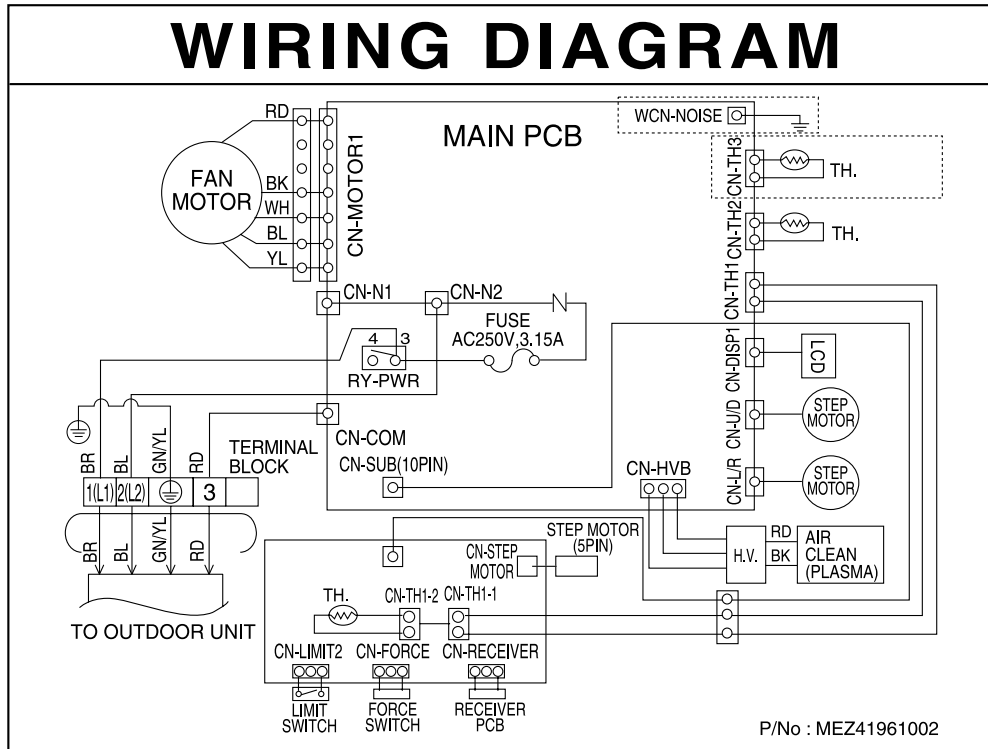


| LOC. | Description                               | PCB Connector      |
|------|---|--------------------|
| Th1  | Thermistor for indoor air temperature     | CN_TH1(INDOOR)     |
| Th2  | Thermistor for evaporating temperature    | CN_TH2(INDOOR)     |
| Th3  | Thermistor for discharge pipe temperature | CN_D_PIPE(OUTDOOR) |
| Th4  | Thermistor for condensing temperature     | CN_TH1(OUTDOOR)    |
| Th5  | Thermistor for outdoor air temperature    |                    |

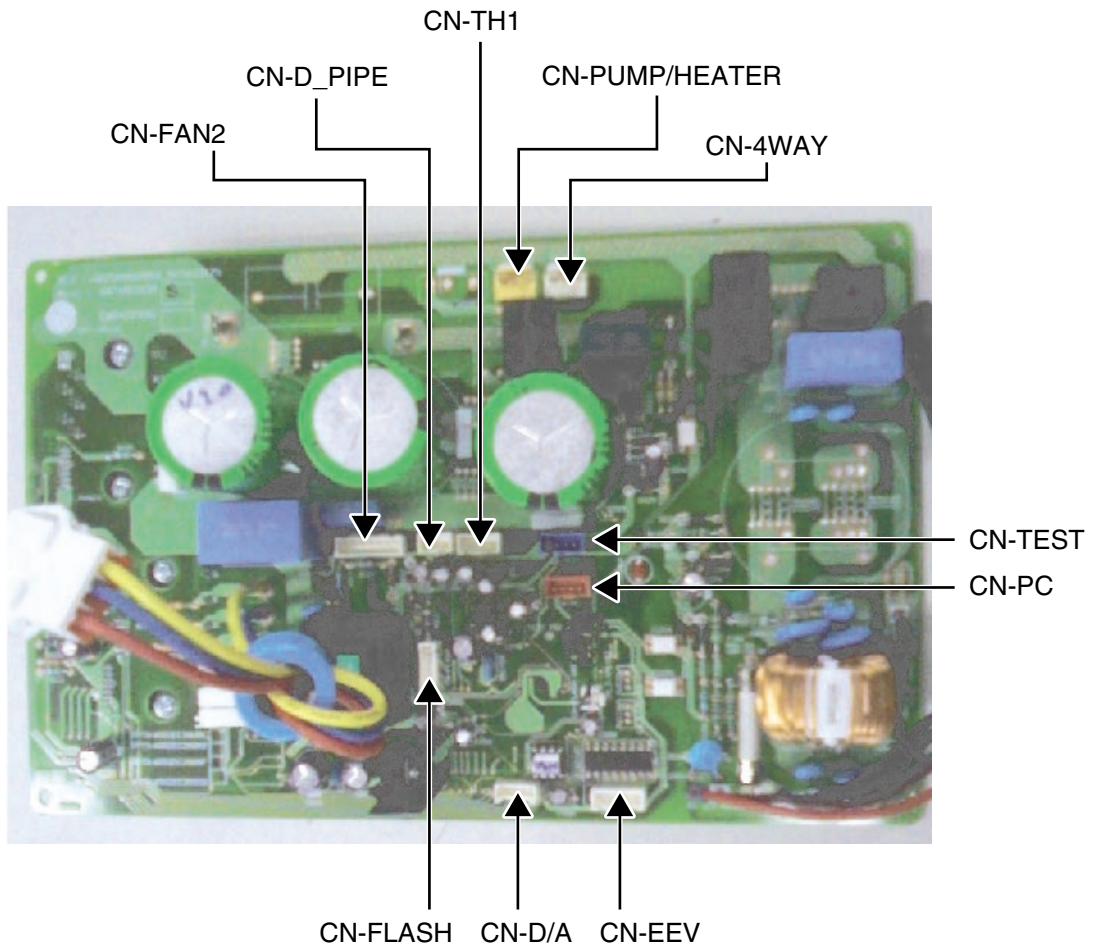
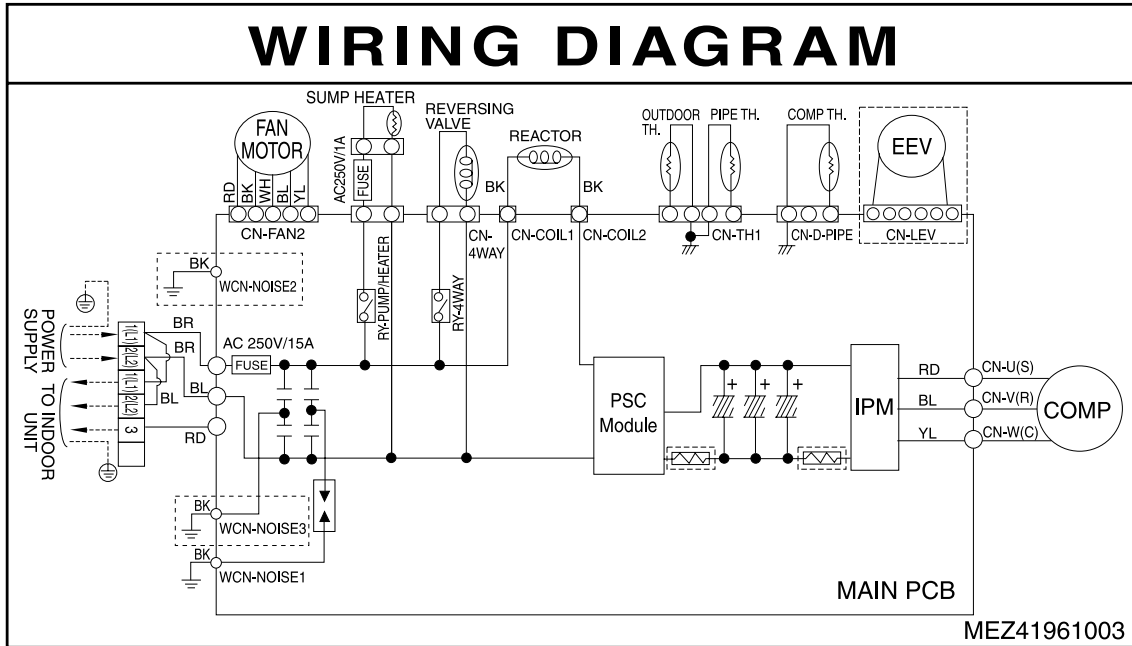
\* EEV : Electronic Expansion Valve.

### 3. Wiring Diagrams

#### Indoor Unit

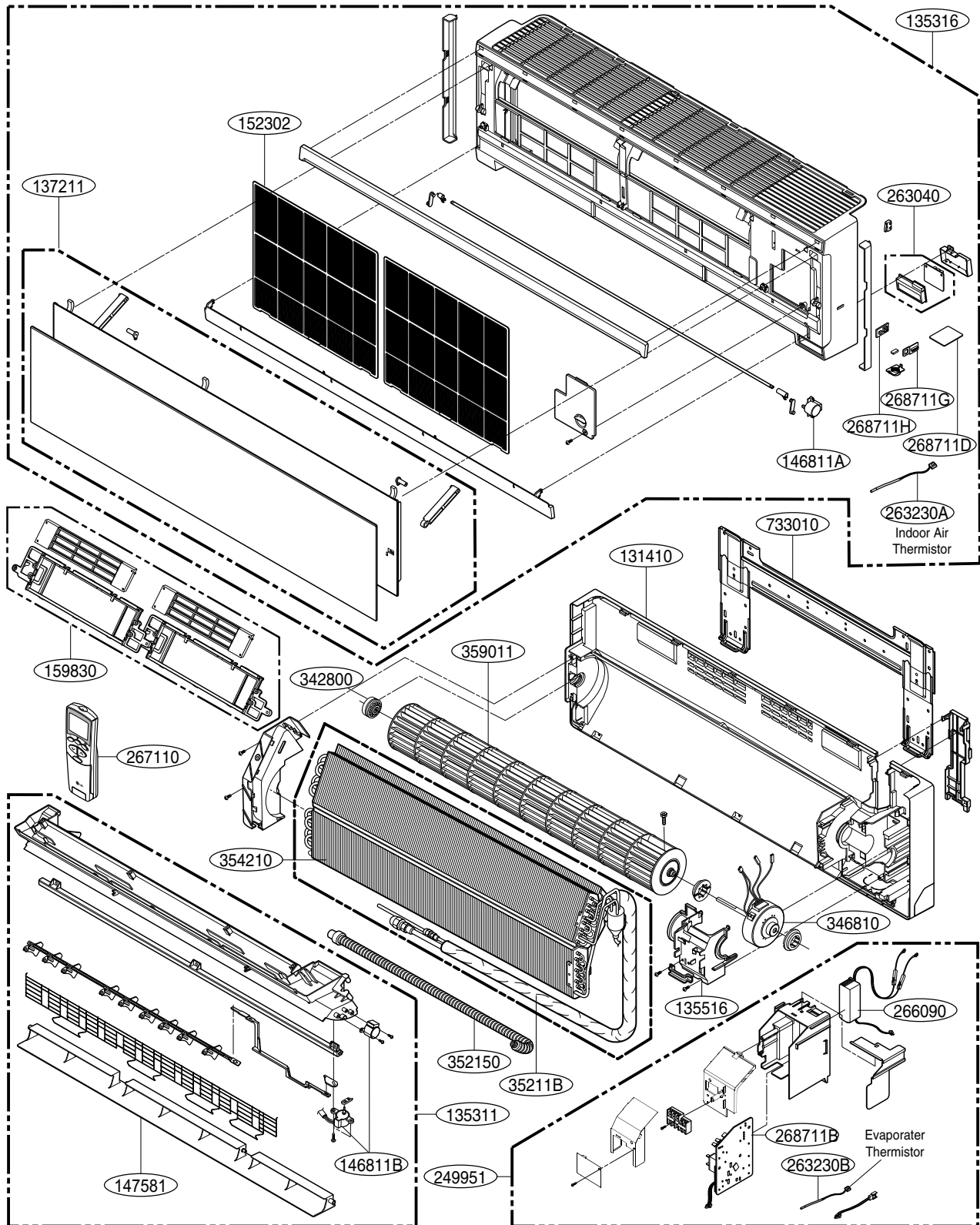


Outdoor Unit



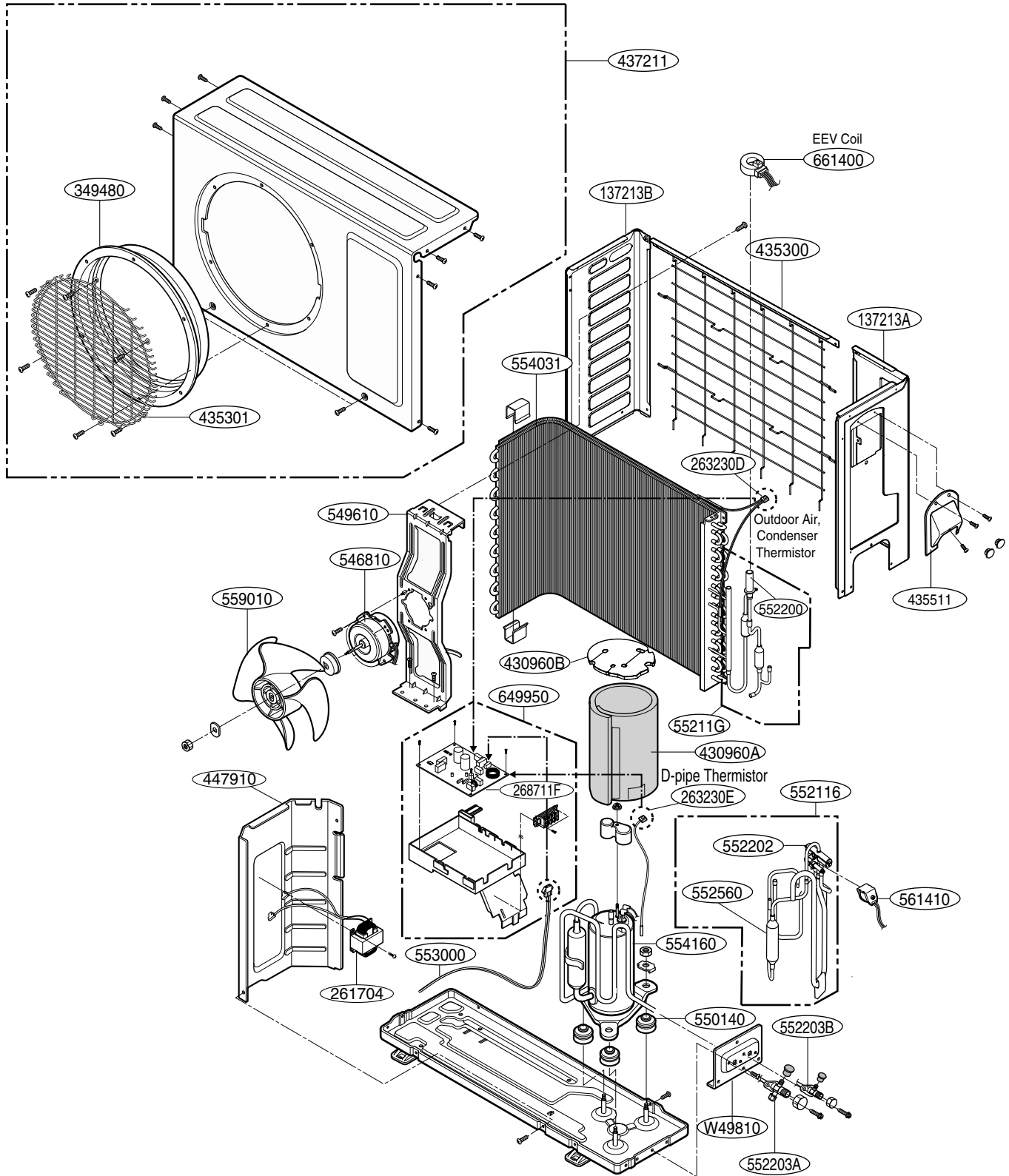
## 4. Exploded View

### Indoor Unit



Note) \* Please ensure GCSC since the replacement parts may be changed depending upon the buyer's request.  
Please check the correct parts in View RPL(Replacement Part List) on GCSC.  
(GCSC Website <http://biz.Lgservice.com>.)

# Outdoor Unit



Note) \* Please ensure GCSC since the replacement parts may be changed depending upon the buyer's request.  
 Please check the correct parts in View RPL(Replacement Part List) on GCSC.  
 (GCSC Website <http://biz.Lgservice.com>.)



P/NO : MFL42286406

January, 2008