

Job Name : \_\_\_\_\_  
 Purchaser : \_\_\_\_\_  
 Engineer : \_\_\_\_\_  
 Submitted To : \_\_\_\_\_  
 Submitted By : \_\_\_\_\_  
 Unit Designation : Schedule No.: \_\_\_\_\_

Location : \_\_\_\_\_  
 P.O. No. : \_\_\_\_\_  
 Architect : \_\_\_\_\_  
 Date : \_\_\_\_\_  
 For :  Reference  Approval  Construction  
 Model No.: \_\_\_\_\_

**Submittal Data : LA091HNP**



**Capacities :**

Cooling .....9,800 Btu/h  
 Heating .....9,800 Btu/h  
 Outdoor Design Temp.(°F,DB/WB)  
 Cooling .....95/75  
 Heating .....47/43  
 SEER .....13  
 EER.....10  
 COP.....2.93

**Indoor Unit :**

Power Supply (V,Ph,Hz) .....36V DC  
 Maximum Fuse Size.....Powered by  
 Minimum Ampacity.....Outdoor Unit  
 Weight (lbs).....33.1  
 Sound (dB(A),H/M/L Cool).....41/35/29  
 Air Circulation (CFM) .....330  
 Dehumidification (pts/hr) .....3.0

**Outdoor Unit :**

Power Supply (V,Ph,Hz) .....115,1,60  
 Maximum Fuse Size.....15  
 Minimum Ampacity.....9.4  
 Weight (lbs).....70.5  
 Sound (dB(A), High Cool) .....48

**Refrigerant Piping :**

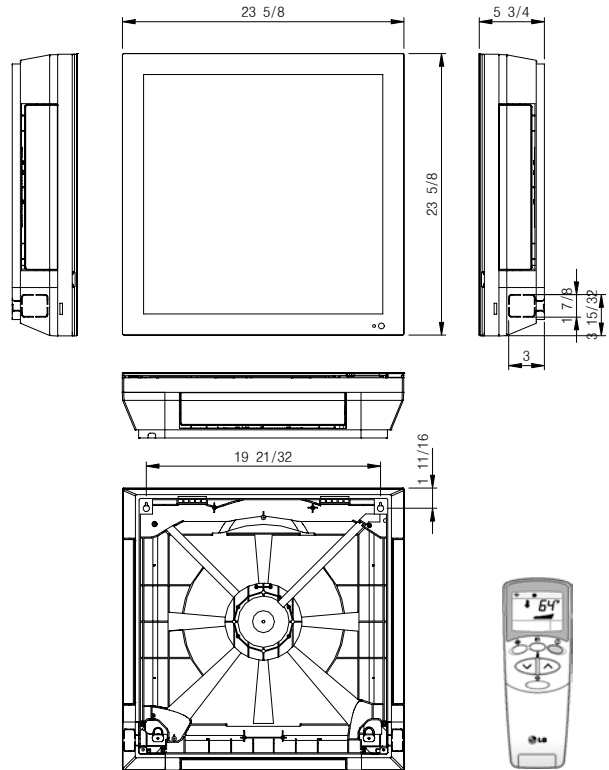
Maximum Length (ft).....50  
 Maximum Height Difference (ft).....25  
 Liquid Side (O.D).....1/4"  
 Gas Side (O.D).....1/2"

**Standard Features :**

- Five Year Compressor Warranty
- Three Year Functional Parts Warranty
- Customizable Art Panel
- R-410a Refrigerant
- Plasma Air Purifying System
- Chaos Swing Air Circulation
- Jet Cool™
- LCD Wireless Remote Controller
- Auto Restart
- 24 Hour On/Off Timer

**Note :**

**LAN091HNP**



**LAU091HNP**

