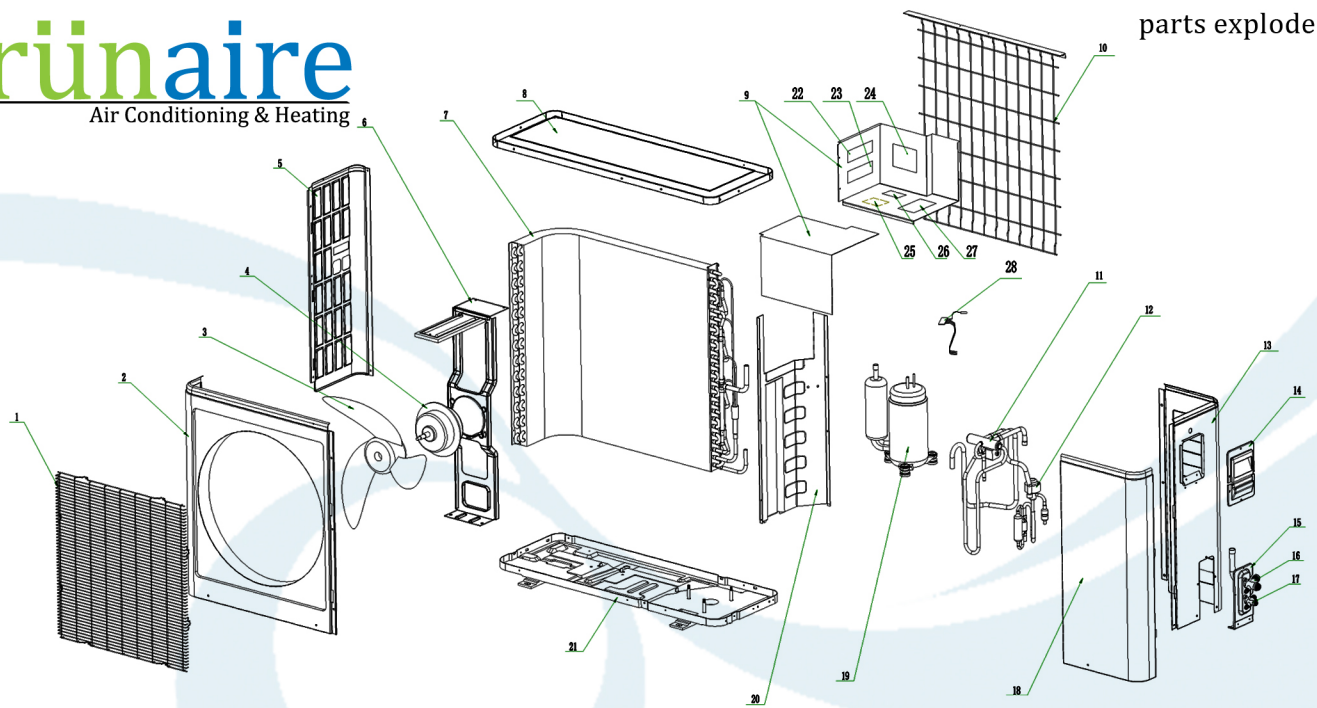




parts exploded view



powerful. quiet. reliable.

item	part description	qty	item	part description	qty	item	part description	qty
3	axial flow fan	1	18	maintenance plate	1			
4	motor	1	19	compressor	1			
5	left panel	1	20	partition board	1			
6	motor support	1	21	base	1			
7	condenser	1	22	pfc board	1			
8	top panel	1	23	ipm board	1			
9	electric box	1	24	cpu mainboard	1			
10	rear grill	1	25	pfc reactor	1			
11	four way valve assembly	1	26	filter	1			
12	electronic expansion valve	1	27	filter board	1			
13	right panel	1	28	temperature sensor	1			
14	top of electric box	1						
15	valve installation plate	1						
16	high pressure valve	1						
17	low pressure valve	1						

item	part description	qty
1	front grill	1
2	front plate	1